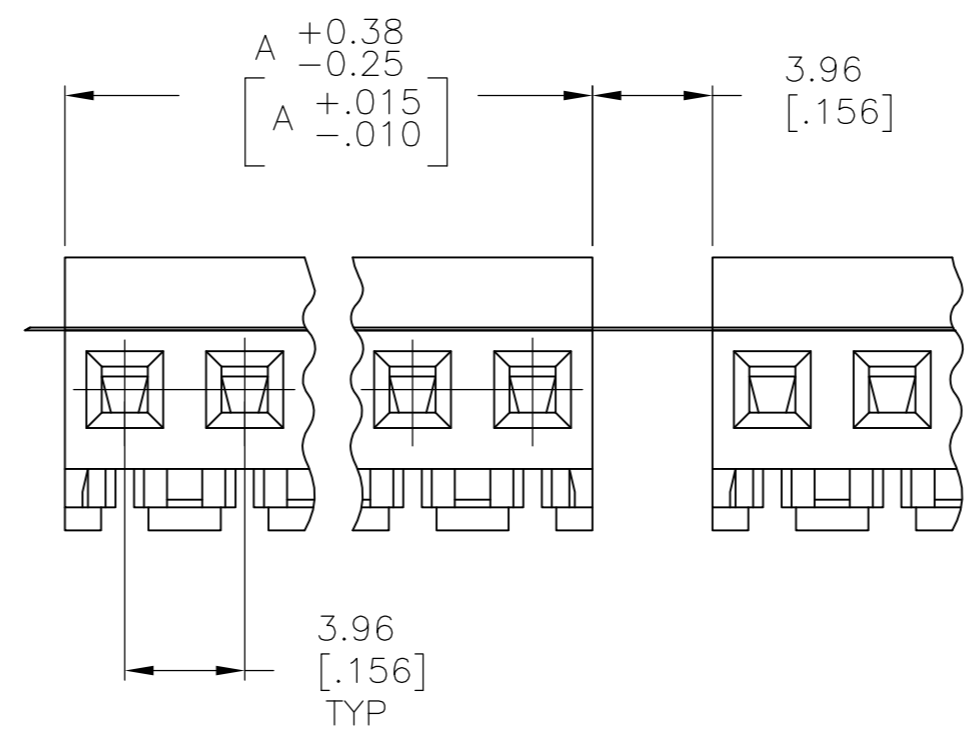
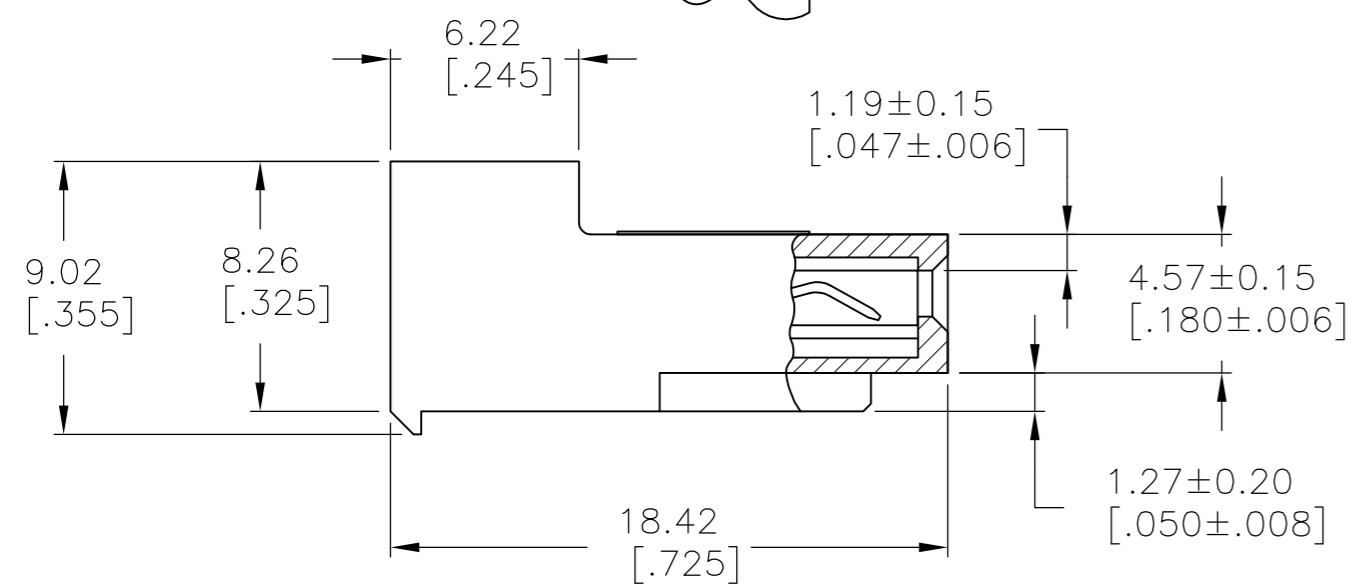
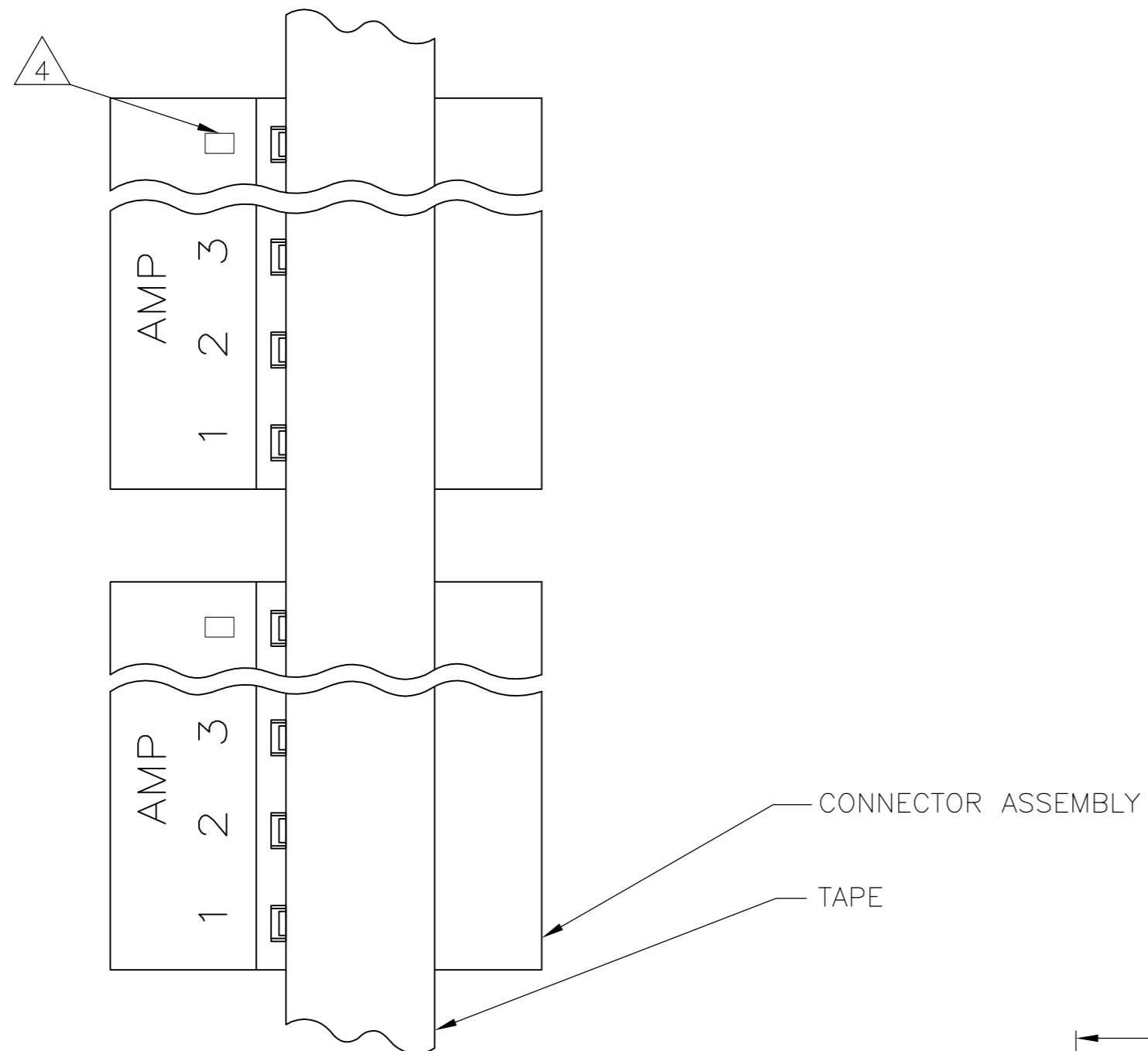


THIS DRAWING IS UNPUBLISHED. RELEASED FOR PUBLICATION  
 © COPYRIGHT BY TYCO ELECTRONICS CORPORATION. ALL RIGHTS RESERVED.

LOC	DIST	REVISIONS					
		P	LTR	DESCRIPTION	DATE	DWN	APVD
CM	00	W		ECO-07-012859	06JUN07	KW	DB



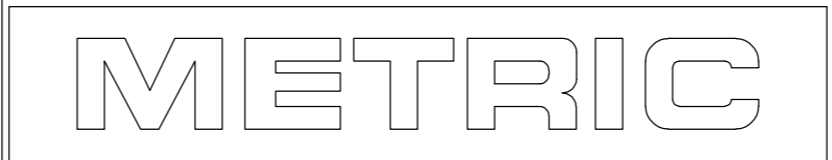
95.10	[3.744]	24	5-640479-4
91.13	[3.588]	23	5-640479-3
87.17	[3.432]	22	5-640479-2
83.21	[3.276]	21	5-640479-1
79.25	[3.120]	20	5-640479-0
75.29	[2.964]	19	4-640479-9
71.32	[2.808]	18	4-640479-8
67.36	[2.652]	17	4-640479-7
63.40	[2.496]	16	4-640479-6
59.44	[2.340]	15	4-640479-5
55.47	[2.184]	14	4-640479-4
51.51	[2.028]	13	4-640479-3
47.55	[1.872]	12	4-640479-2
43.59	[1.716]	11	4-640479-1
39.62	[1.560]	10	4-640479-0
35.66	[1.404]	9	3-640479-9
31.70	[1.248]	8	3-640479-8
27.74	[1.092]	7	3-640479-7
23.77	[.936]	6	3-640479-6
19.81	[.780]	5	3-640479-5
15.85	[.624]	4	3-640479-4
11.89	[.468]	3	3-640479-3
7.92	[.312]	2	3-640479-2
95.10	[3.744]	24	2-640479-4
91.13	[3.588]	23	2-640479-3
87.17	[3.432]	22	2-640479-2
83.21	[3.276]	21	2-640479-1
79.25	[3.120]	20	2-640479-0
75.29	[2.964]	19	1-640479-9
71.32	[2.808]	18	1-640479-8
67.36	[2.652]	17	1-640479-7
63.40	[2.496]	16	1-640479-6
59.44	[2.340]	15	1-640479-5
55.47	[2.184]	14	1-640479-4
51.51	[2.028]	13	1-640479-3
47.55	[1.872]	12	1-640479-2
43.59	[1.716]	11	1-640479-1
39.62	[1.560]	10	1-640479-0
35.66	[1.404]	9	640479-9
31.70	[1.248]	8	640479-8
27.74	[1.092]	7	640479-7
23.77	[.936]	6	640479-6
19.81	[.780]	5	640479-5
15.85	[.624]	4	640479-4
11.89	[.468]	3	640479-3
7.92	[.312]	2	640479-2
DIM A		NO OF CIRCUITS	PART NO

1 MATERIAL: CONNECTOR - NYLON UL94V-2 (RED)  
 CONTACTS - 0.30[.012] THICK COPPER ALLOY  
 BRIGHT TIN-LEAD 0.00203[.000080] MIN THICK  
 FOR CONTACTS 640479-2 THRU 2-640479-4  
 MATTE WHISKER MITIGATED TIN 0.00203[.000080]  
 MIN THICKNESS OVER NICKEL UNDERPLATE FOR  
 3-640479-2 THRU 5-640479-4.

2. CONTACTS ACCEPT 22 AWG WIRE WITH 2.41[.095] MAX INSULATION DIAMETER.  
 3. CONTACTS MUST ACCEPT 1.14±0.03 [.045±.001] SQUARE POST AND REMAIN LOCKED IN POSITION.

4 IDENTIFICATION NUMBER FOR LAST CIRCUIT MAY NOT APPEAR ON ALL ASSEMBLIES.

5. DIMENSIONS IN BRACKETS ARE IN INCHES.  
 6. HOUSING FEATURES ARE: CLOSED END WITHOUT LOCKING RAMP.



THIS DRAWING IS A CONTROLLED DOCUMENT.		DWN B. LEWIS 12 FEB 91	Tyco Electronics Corporation Harrisburg, Pa 17105-3608	
DIMENSIONS: mm [INCHES]		CHK R. SWING 12 FEB 91	NAME MTA-156 CONNECTOR ASSEMBLY 22 AWG, STANDARD, TAPE MOUNTED	
TOLERANCES UNLESS OTHERWISE SPECIFIED: 0 PLC ± - 1 PLC ± - 2 PLC ± - 3 PLC ± - 4 PLC ± - ANGLES ± - FINISH		APVD D. CLARK 19 FEB 91	DRAWING NO 108-1051	
MATERIAL		PRODUCT SPEC 114-1020	SIZE A2	CAGE CODE 00779
1		WEIGHT -	DRAWING NO C=640479	
1		CUSTOMER DRAWING		RESTRICTED TO -
		SCALE 4:1		SHEET 1 OF 1
				REV W